

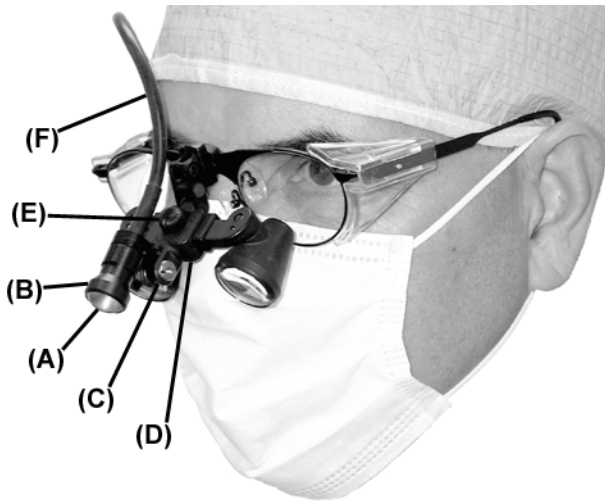
SurgiTel® Systems

General Scientific Corporation

77 Enterprise Drive
 Ann Arbor, MI 48103-9503
 (800) 959-0153 (734) 996-9200 Fax:(734) 662-0520
 www.surgitel.com gsc@surgitel.com

USER INSTRUCTIONS

Fiber Optic Light



SurgiTel®

Fiber Optic Light

CUSTOMER RECORDS:

NAME: _____
 ORDER No: _____ CUST. ID(Ph.#): _____
 DATE OF PURCHASE: _____
 FROM: _____
 MODEL: _____
 ACCESSORIES: _____
 SERVICE RECORD: _____

WARRANTY & CUSTOMER SERVICE
 General Scientific Corporation (GSC) guarantees the integrity of its products from defects in material and workmanship through limited repair and/or replacement of defective parts. Prompt inspection and reporting of missing or damaged product(s) should be reported to the shipping carrier and GSC within 3 days of receipt. Any attempt to repair lights or light power sources (e.g. battery pack or source box) other than with GSC, will void the warranty. For returns, repairs, refurbishments, or exchanges; suitable, clean packaging and delivery to GSC is the responsibility of the customer, while GSC will cover costs of return to the customer (excluding refurbishments). Under special circumstances GSC will cover incoming ground transportation for products which GSC deems defective upon receipt by customer. **BEFORE SENDING ANY PRODUCT BACK TO GSC, YOU MUST CALL CUSTOMER SERVICE PRIOR TO SHIPMENT IN ORDER TO OBTAIN A GSC TRACKING/RMA #. ANY PACKAGES SENT TO GSC w/o GETTING THIS # WILL RESULT IN SIGNIFICANT PROCESSING DELAYS.**
 For International Customers who purchased their product with a distributor in their respective country, all service-related requests must be handled through them and not GSC directly.
 Fiber Optic Light Source Box 1-Year Limited Warranty
 Fiber Optic Light Cable 30-Day Limited Warranty
 Limitations of Warranty (Conditions Not Covered):
 Deterioration or failure due to misuse or improperly following instructions and/or warnings; Items which have a known life based on use (e.g. bulbs, fiber optic cables, batteries); Nicks & scratches on optical surfaces caused after delivery; Accidents or conditions of use considered negligent by GSC.
GSC Customer Service – 1 800 959 0153

CLEANING & DISINFECTION
 Only do this for the Light Lens. Always disconnect from the power source before cleaning and allow to cool. DO NOT use disinfectants containing *glutaraldehydes* or *topophors*. DO NOT immerse in water or any liquid.
Cleaning: Apply isopropyl alcohol with a soft cloth until particles are loosened. Wipe with clean damp cloth and air dry.
Disinfection: Wipe w/ Lysol® or isopropyl alcohol. Let stand for 5 minutes and dry.

INTRODUCTION

Thank you for choosing **SurgiTel®!**
 Your **SurgiTel®** Fiber Optic Light, one of the most compact and lightweight, will instantly help you realize a greatly enhanced image with a more true to life color. You will now also be able to see deep inside cavities and openings without having shadows from co-workers and instruments inhibiting your view.

MOUNTING, ROUTING, and REMOVING THE LIGHT

(See diagrams shown on the back)
To Mount, hold onto the link-hinge of your telescopes while pushing the clip-on mount of the light under the PD Knob of your telescopes until they snap in.
To Route, attach the spiral cable tie onto the temple arm and light wire, route over the ear and then diagonally across your back, securing it to your garment near the opposite lower side with a clear garment clip.
To Remove, hold onto the link-hinge of your telescopes, pull the light while twisting to the side slightly.

FEATURES

- (A) LIGHT LENS
- (B) OUTER SHELL: Adjusts the light beam diameter (focus) by rotating it with your fingers.
- (C) BEAM DIRECTION BASE: Adjusts the co-axial direction of the beam by pivoting vertically or by rotating.
- (D) CLIP-ON MOUNT: Allows the light to be clipped on to your telescopes.
- (E) P.D. KNOB: *Light clips BELOW this, not above.*
- (F) FIBER OPTIC CABLE

IMPORTANT!! → CARING FOR YOUR FIBER OPTIC CABLE

Fiber Optic cables are fragile by nature. Your fiber optic cable consists of hundreds of individual light fibers. They are prone to some breaking through normal use. To avoid breaking light fibers, never bend, wrap sharply, twist, or kink the fiber cable. For optimum storage, hang cable in one large loop in a cool and dry place. Expect to replace your fiber cable periodically, depending on the way and amount you use it.

FIBER OPTIC LIGHT SOURCE

Your **SurgiTel®** Fiber Optic Light Cable works well with many other light sources. Each light source may work somewhat differently, so consult its individual user's manual for specific operations. **WARNING:** BULB in light source will be very hot during and after use, so be careful when changing!!

LIGHT SOURCE INSTRUCTIONS

Your **SurgiTel**® Fiber Optic Light works with many different light sources (either halogen or xenon light sources). **SurgiTel**® offers both halogen and xenon light sources. After plugging in the end of your Fiber Optic Cable into the light source, turn on the light source and adjust per the user's guide for the specific light source.

SurgiTel® offers two types of fiber optic cables; i.e., ACMI and Universal Connectors. The Universal Connector can be used for ACMI, Storz, Olympus, and Wolf type or compatible boxes. Also, **SurgiTel**® offers armored cables for extra protection from fiber breakage.

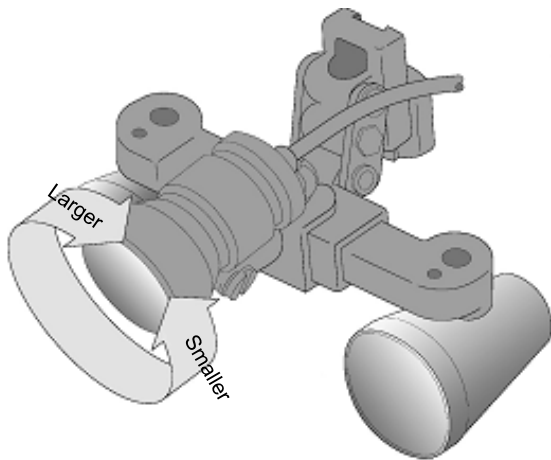
Remember that the brighter light is not always better for your vision. Also remember that the lower operating voltage can extend the life of halogen light bulbs.

WARNINGS:

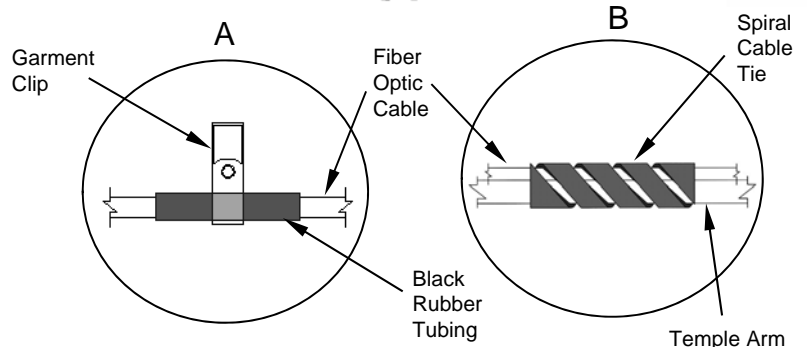
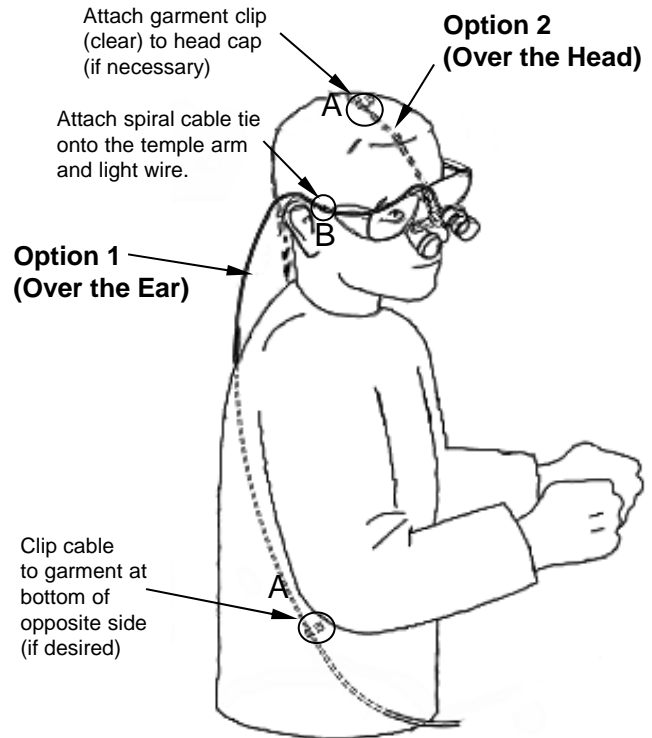
- ⚠ Never look directly into Light Source when on.
- ⚠ Bulb and surrounding surfaces may be hot!
- ⚠ Never attempt repairs of the light source yourself.

Adjustment of Beam Size (or Focusing):

The beam size can be adjusted by rotating the front part of the light lens assembly.



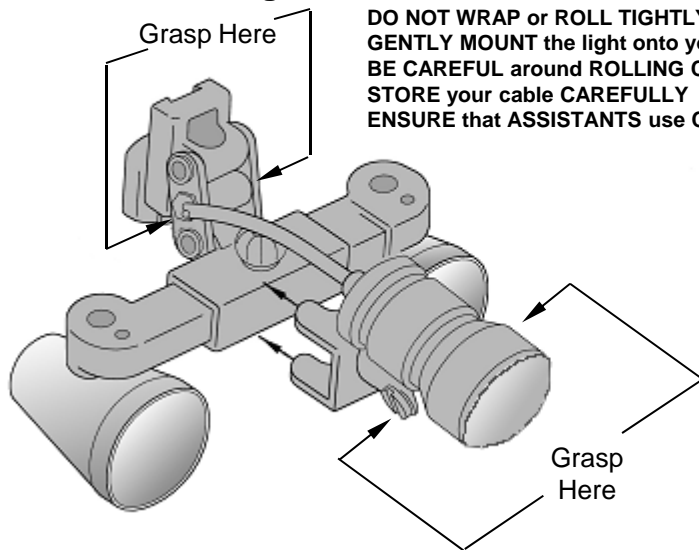
ROUTING THE CABLE



CARING FOR YOUR FIBER OPTIC CABLE

DO NOT TWIST or PINCH
DO NOT BEND SHARPLY
DO NOT WRAP or ROLL TIGHTLY
GENTLY MOUNT the light onto your telescopes
BE CAREFUL around **ROLLING CHAIRS**
STORE your cable **CAREFULLY**
ENSURE that **ASSISTANTS** use **CAUTION**

Mounting



Removing

